



Engr302I- Energy
and the Environment

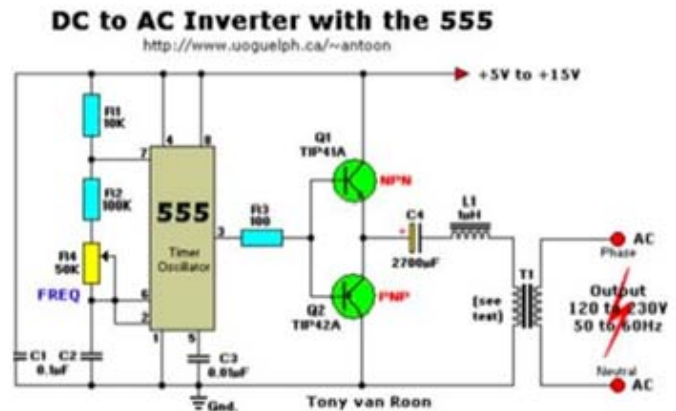
Solar Power Inverter

Khuu, Le, and Tran

The DC output from a bus of solar collectors are converted to AC.

Links:

[Written Report](#)



Possible Modifications:

1. Build a better platform where students can experiment by varying different design parameters.